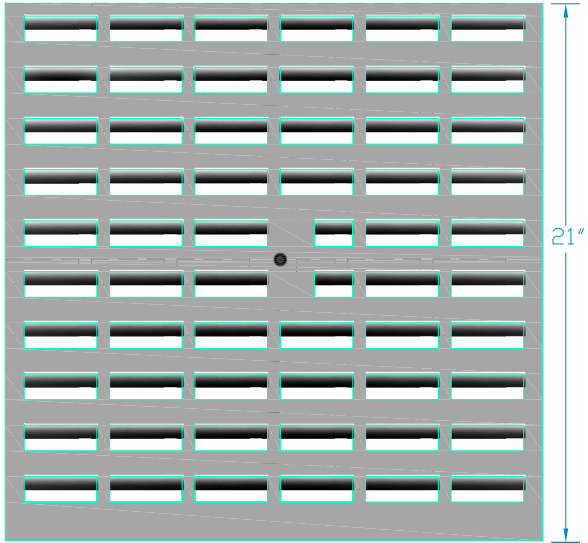
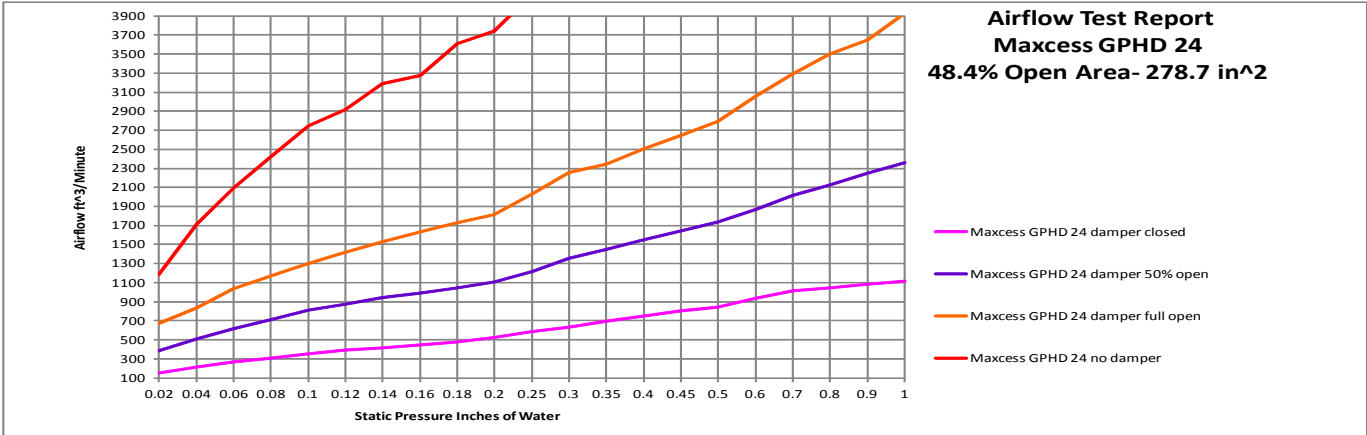
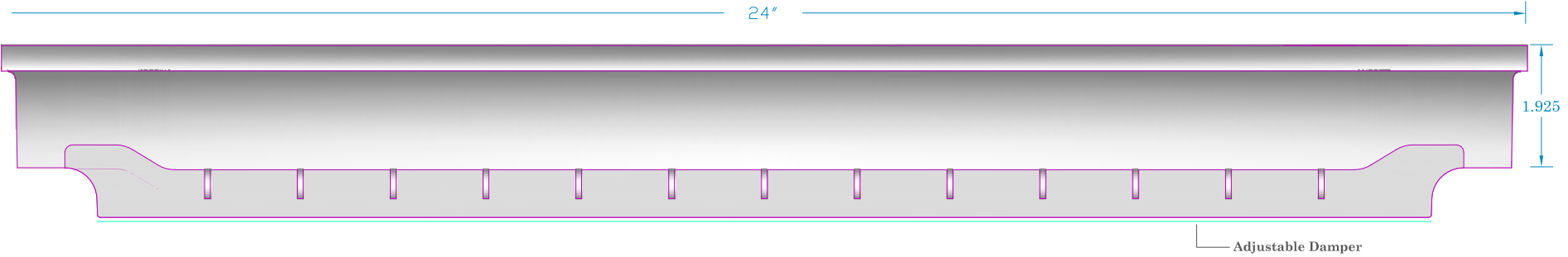


Product Data Sheet (Optional Damper Kit)



Top View of GPHD 24 Adjustable Damper



Adjustable Damper

CEI PART #: GPHD Adjustable Damper					
DRAWN BY: M.C.					
PAPER SIZE = 8.5" x 11" LASER					
SHEET: 1	SCALE: 2.5 = 1	DATE: 14 Dec 2015			
PATH=C:\Users\Ingo\Desktop\HD 24 Product Drawings.dwg					



COMPUTER ENVIRONMENTS, INC.
1616 JOHN WEST ROAD DALLAS, TX, USA 75228 214 321 1234 FAX 214 321 2333 ceifloor.com
Manufactured in the U.S.A.

PART OR PROJECT DESCRIPTION
GPHD Adjustable Damper